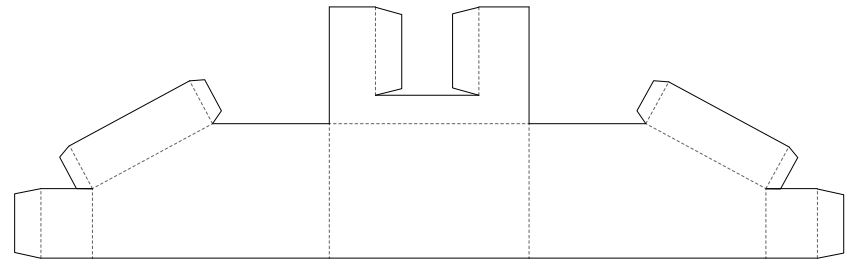
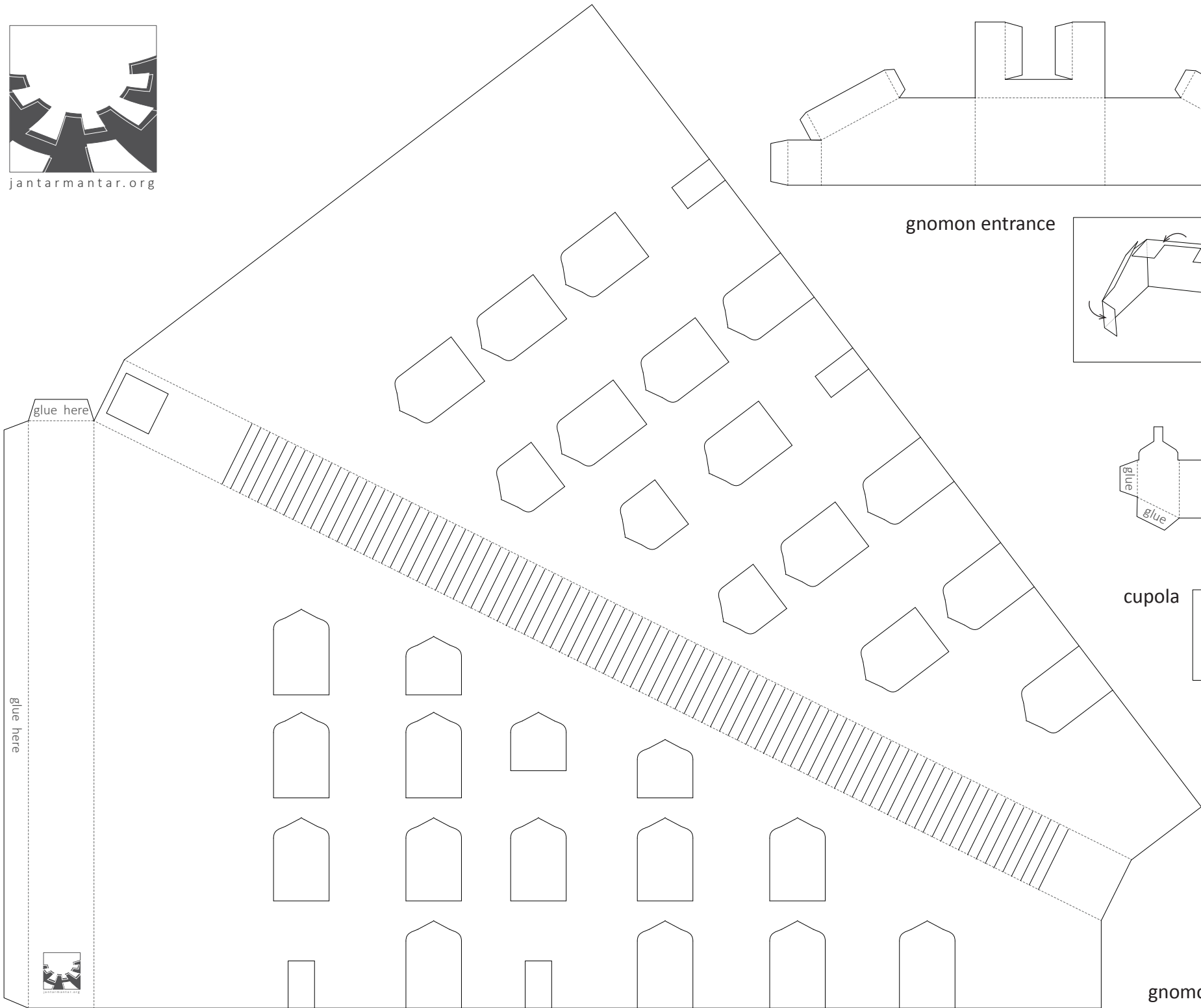
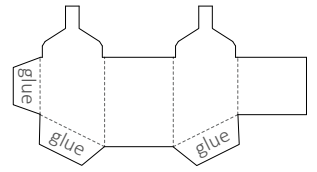
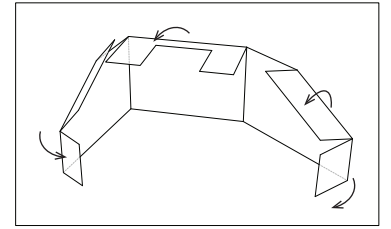




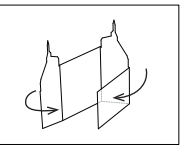
jantarmantar.org



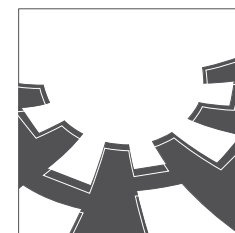
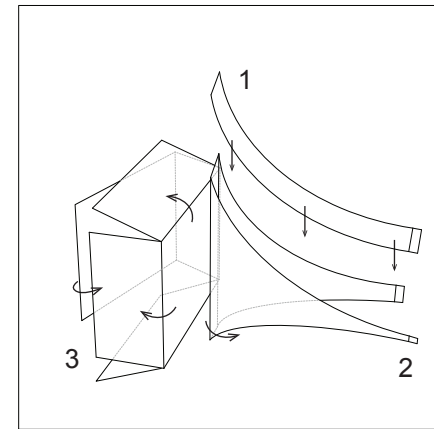
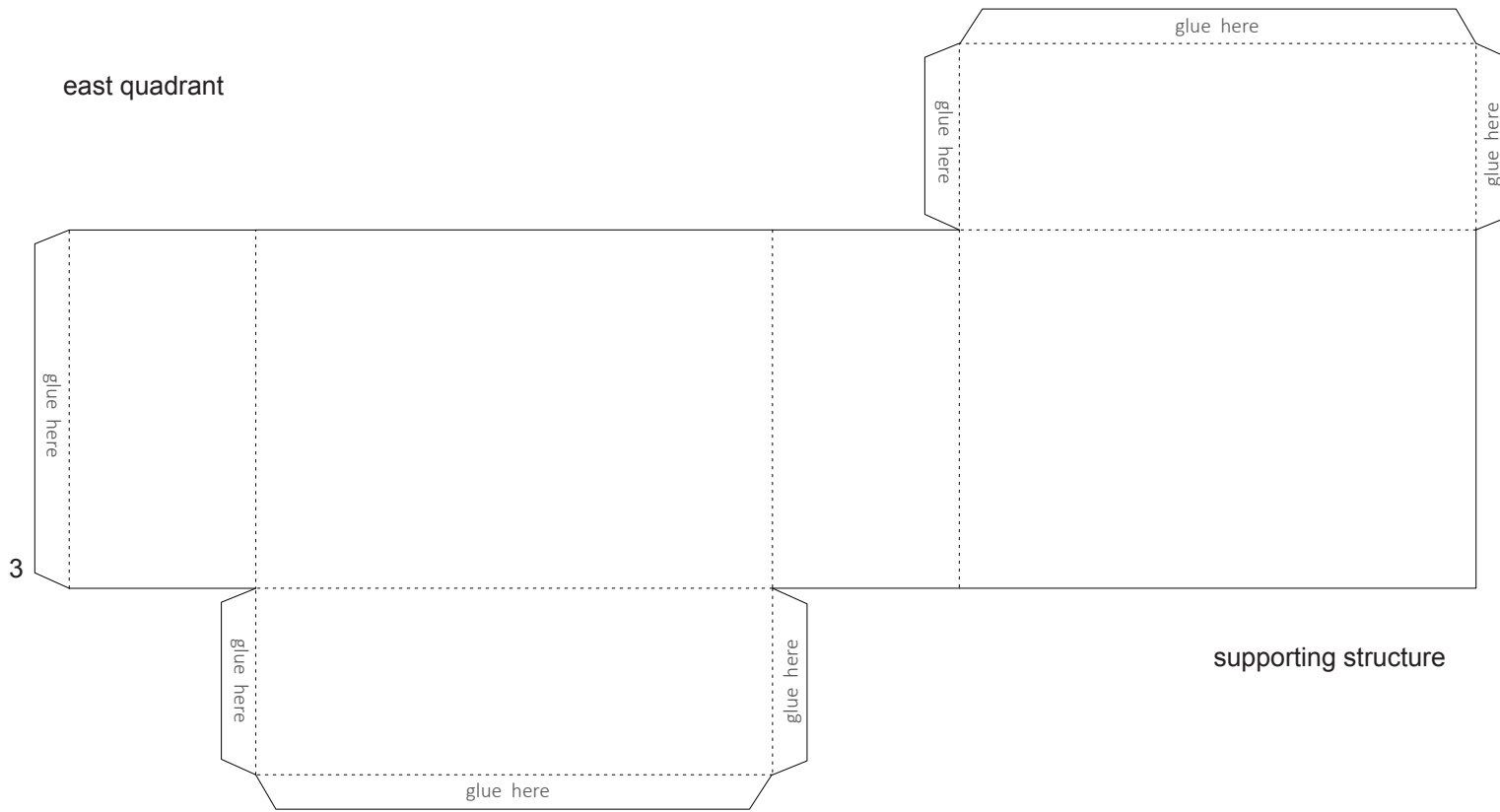
gnomon entrance



cupola



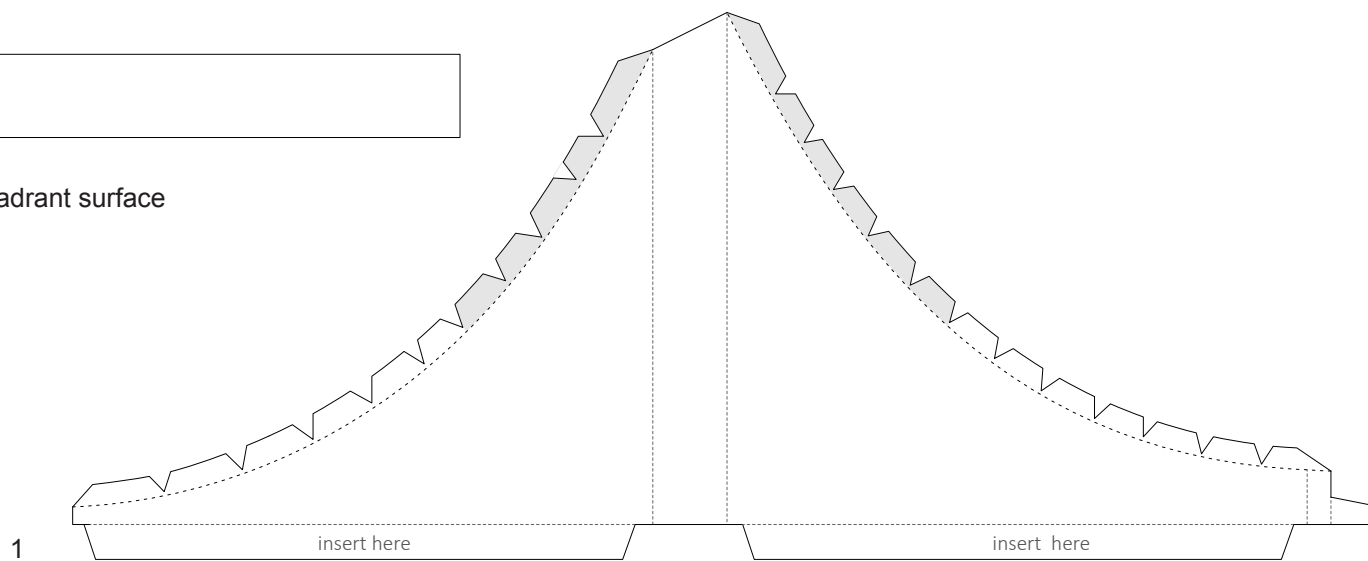
gnomon paper cover



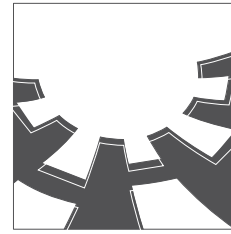
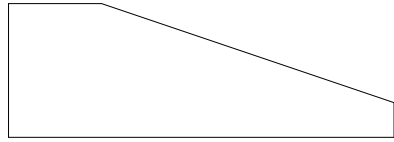
jantarmantar.org



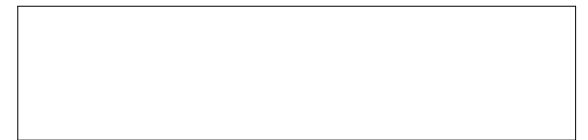
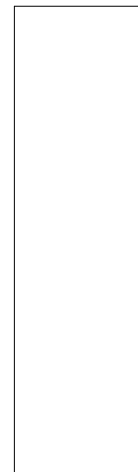
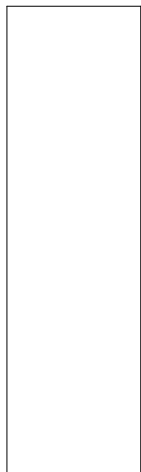
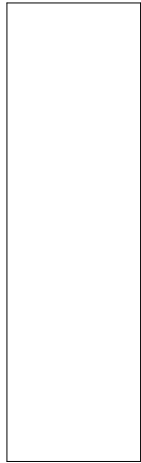
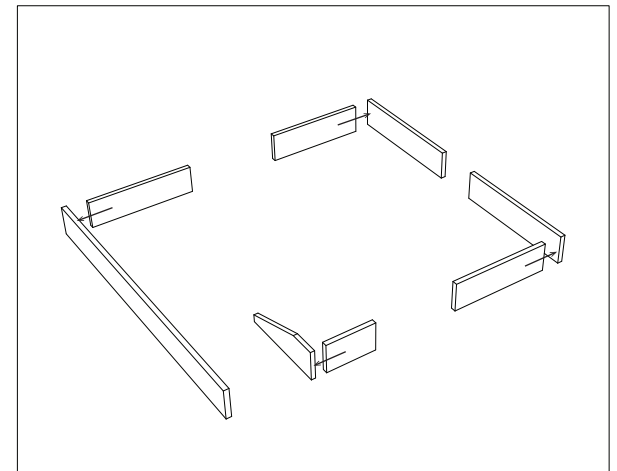
quadrant surface



NOTE: Insert the quadrant into the foam base before gluing the quadrant surface. When gluing the surface, glue the shaded tabs first, then glue the rest.



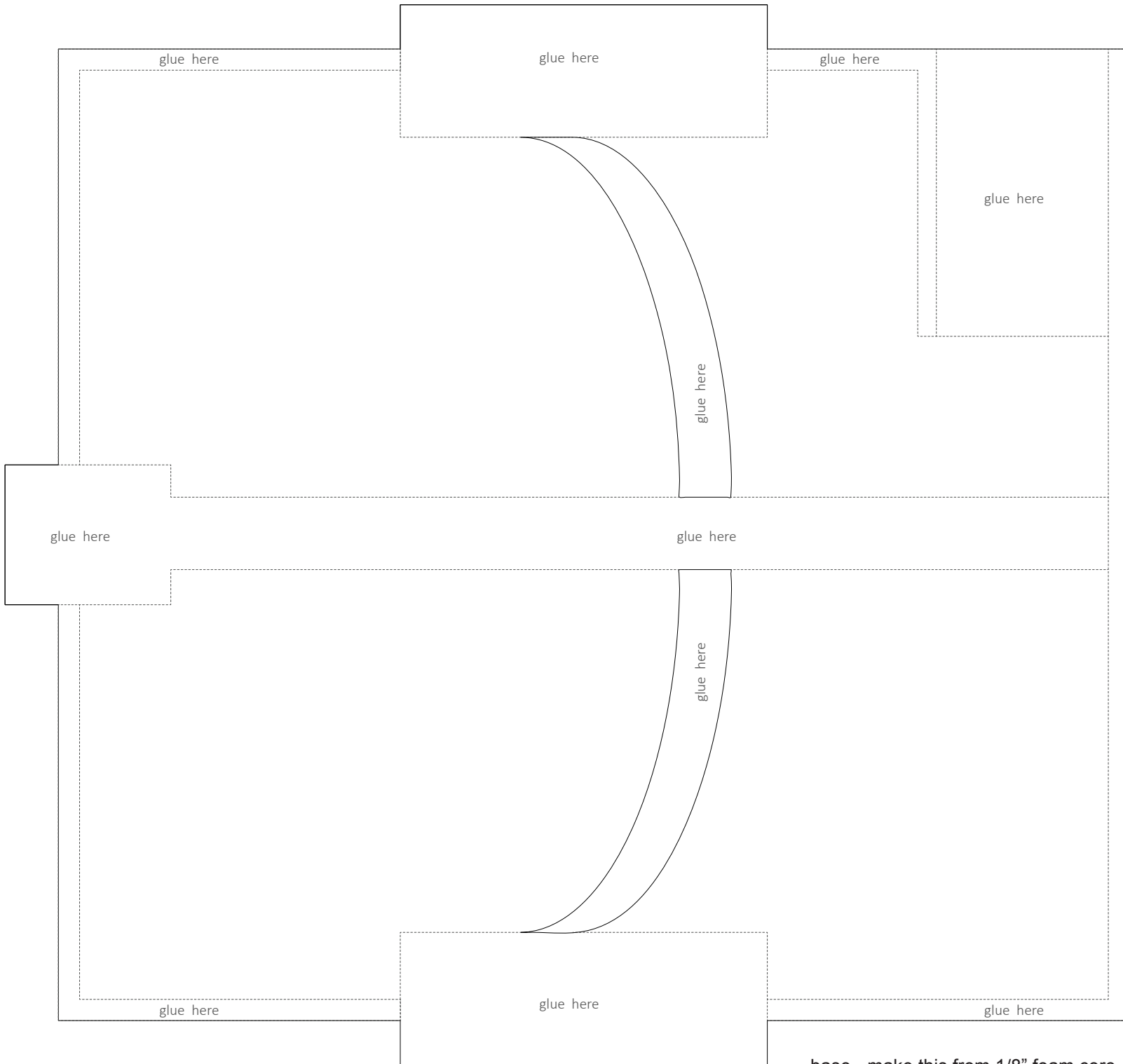
jantarmantar.org



base walls - make this from 1/8" foam core

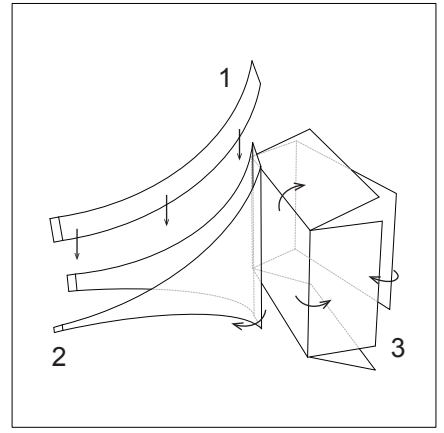
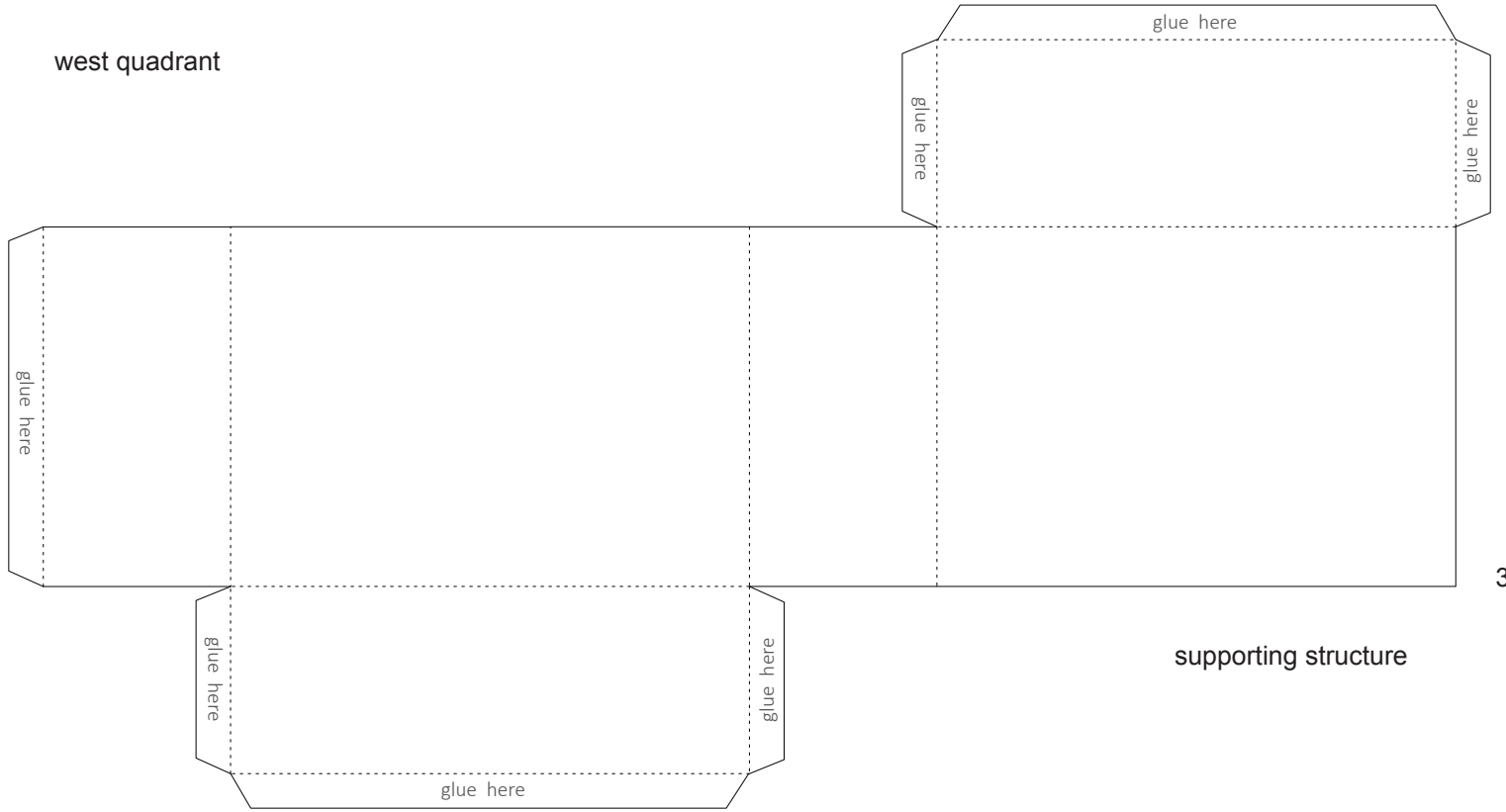


jantarmantar.org



base - make this from 1/8" foam core. Glue other parts according to dashed line. All other pieces are card stock (110 lb.)

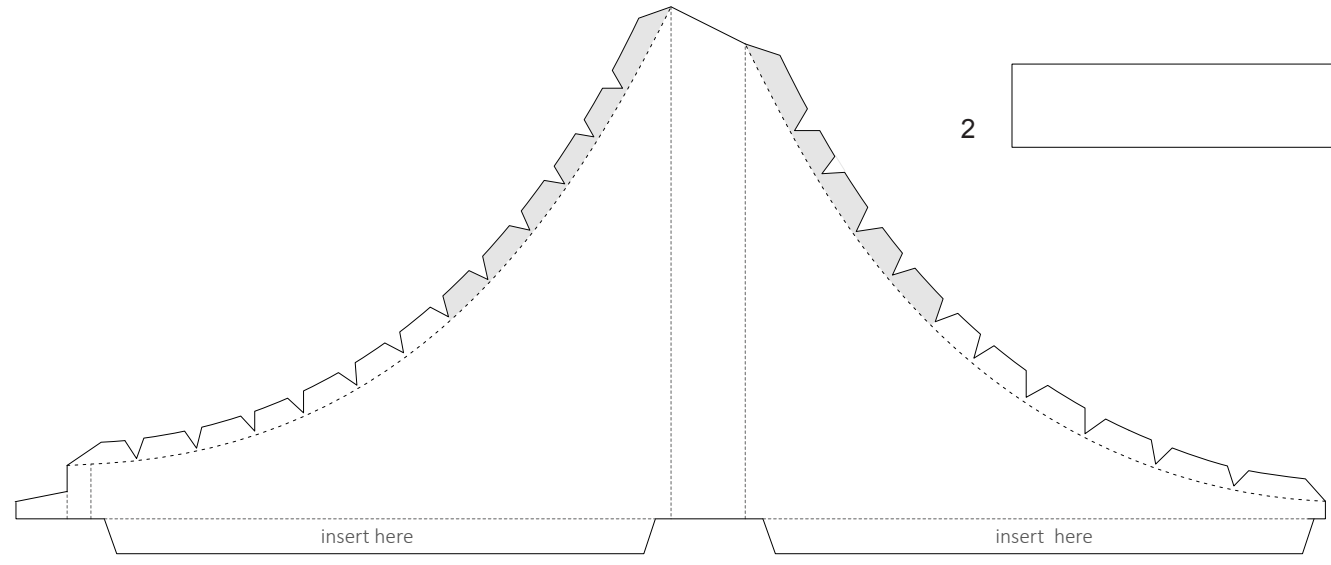
west quadrant



supporting structure



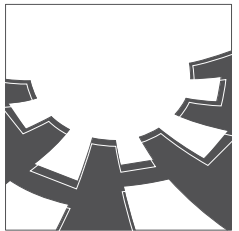
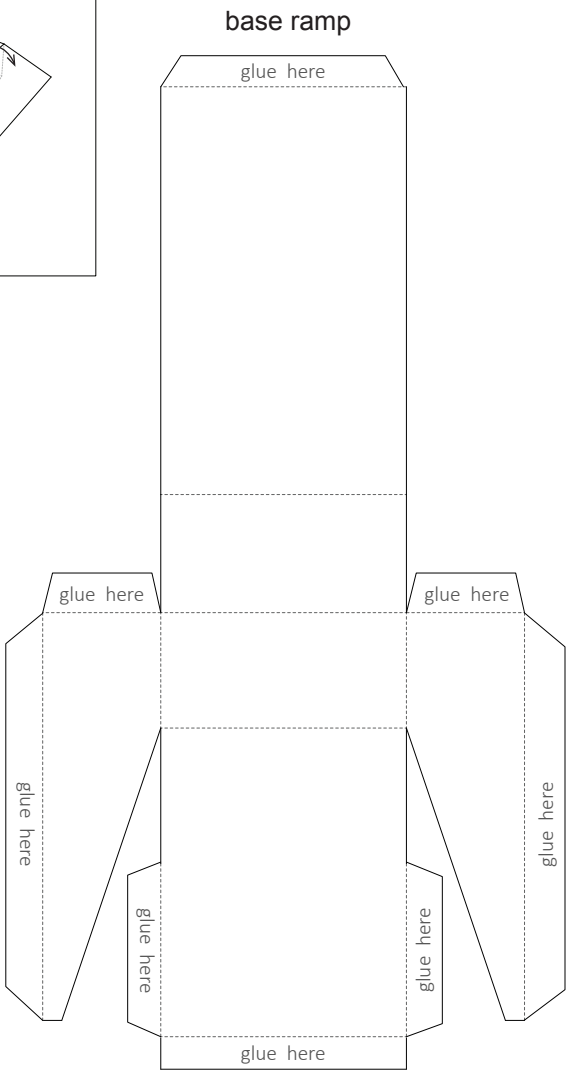
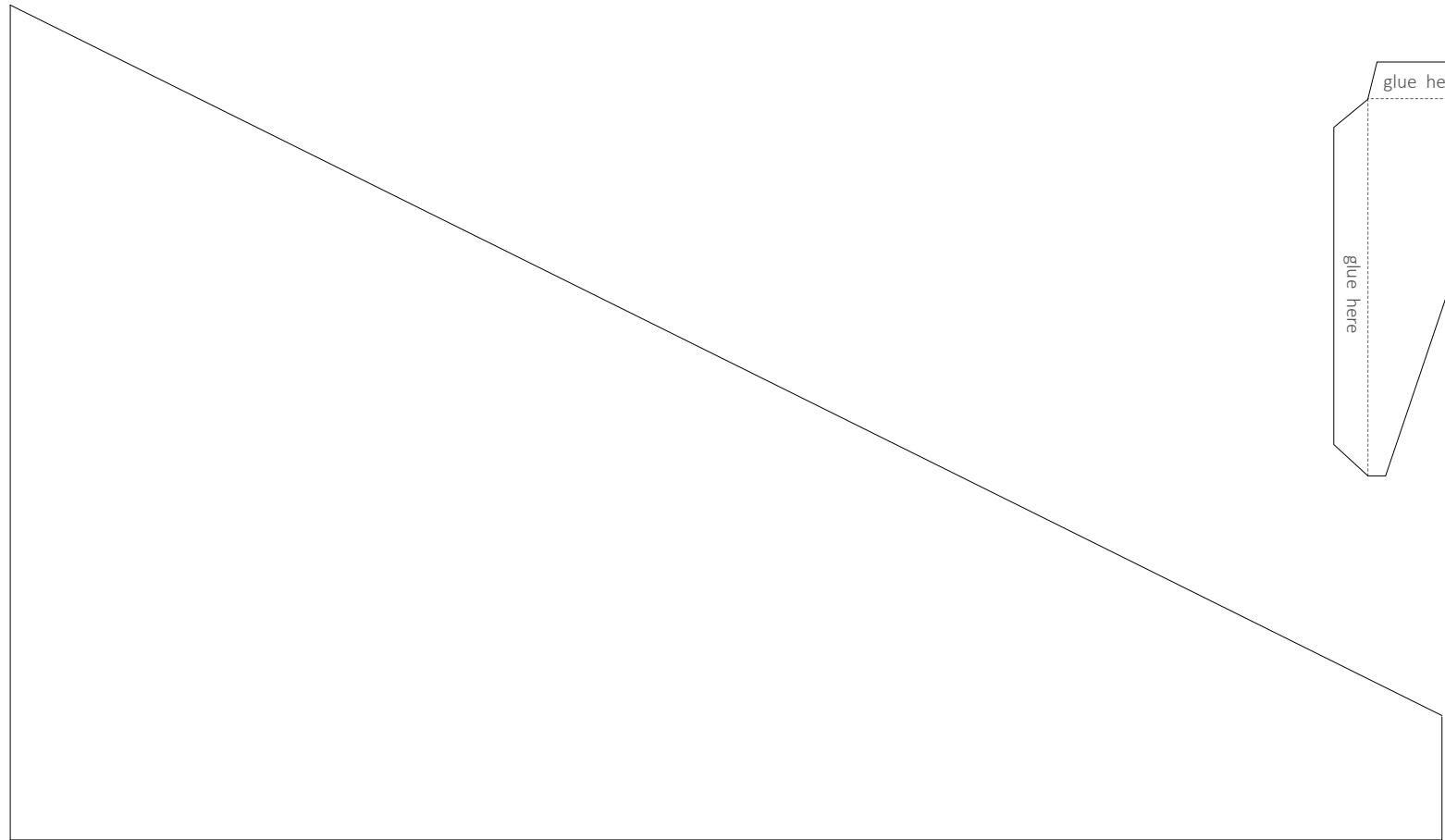
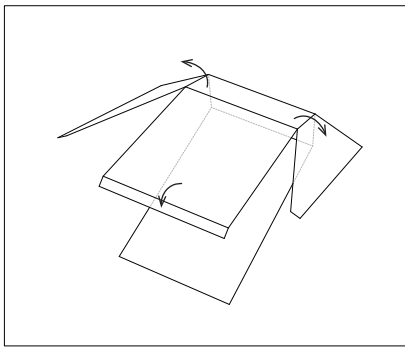
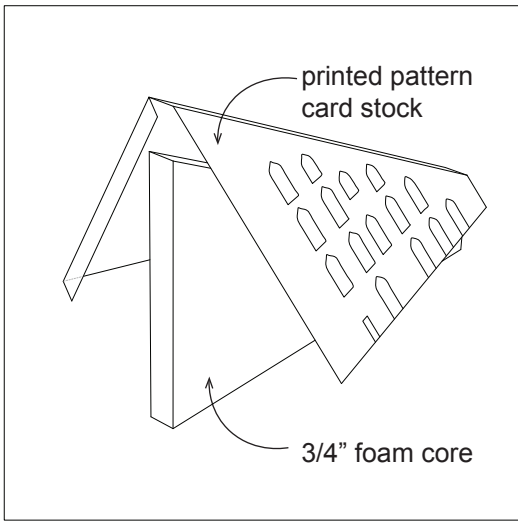
jantarmantar.org



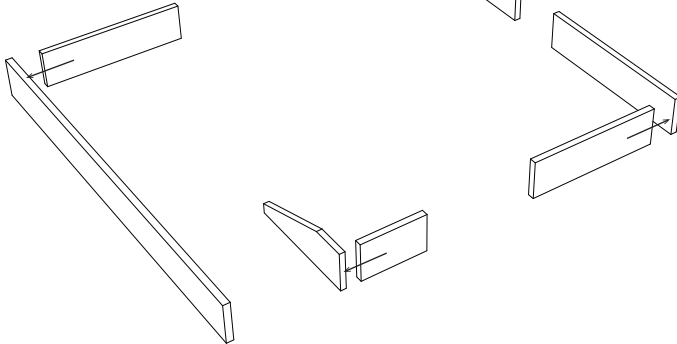
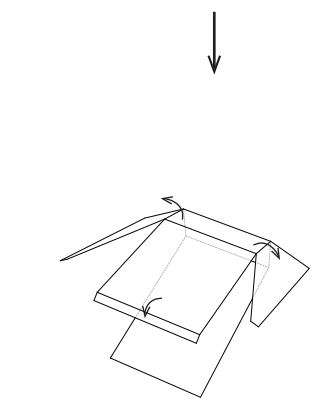
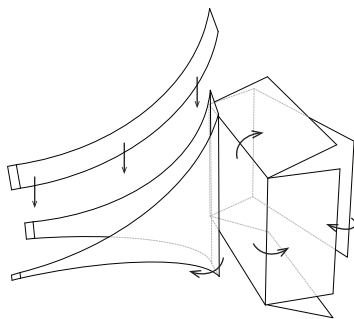
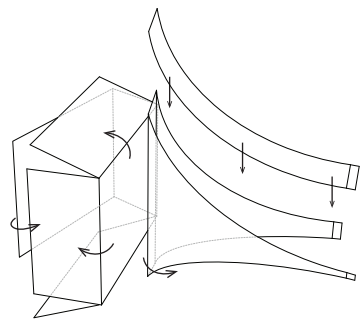
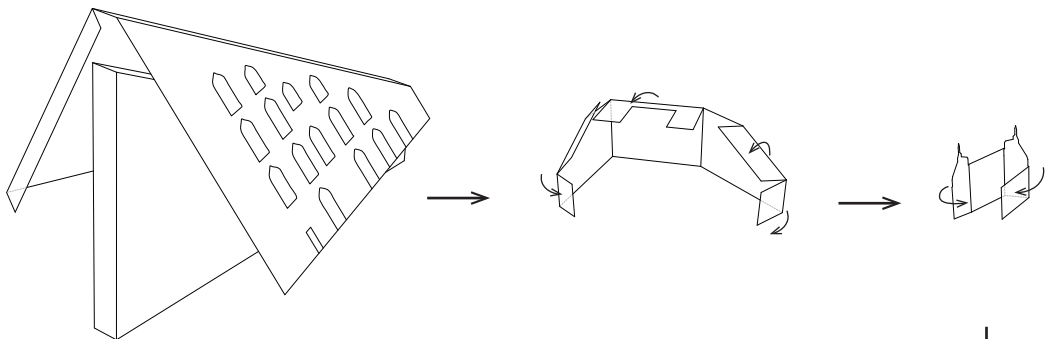
quadrant surface

quadrant

NOTE: Insert the quadrant into the foam base before gluing the quadrant surface. When gluing the surface, glue the shaded tabs first, then glue the rest.



gnomon - make this from 1/2" foam core



NOTE: Insert the quadrants into the foam base before gluing other parts down to the foam base.

